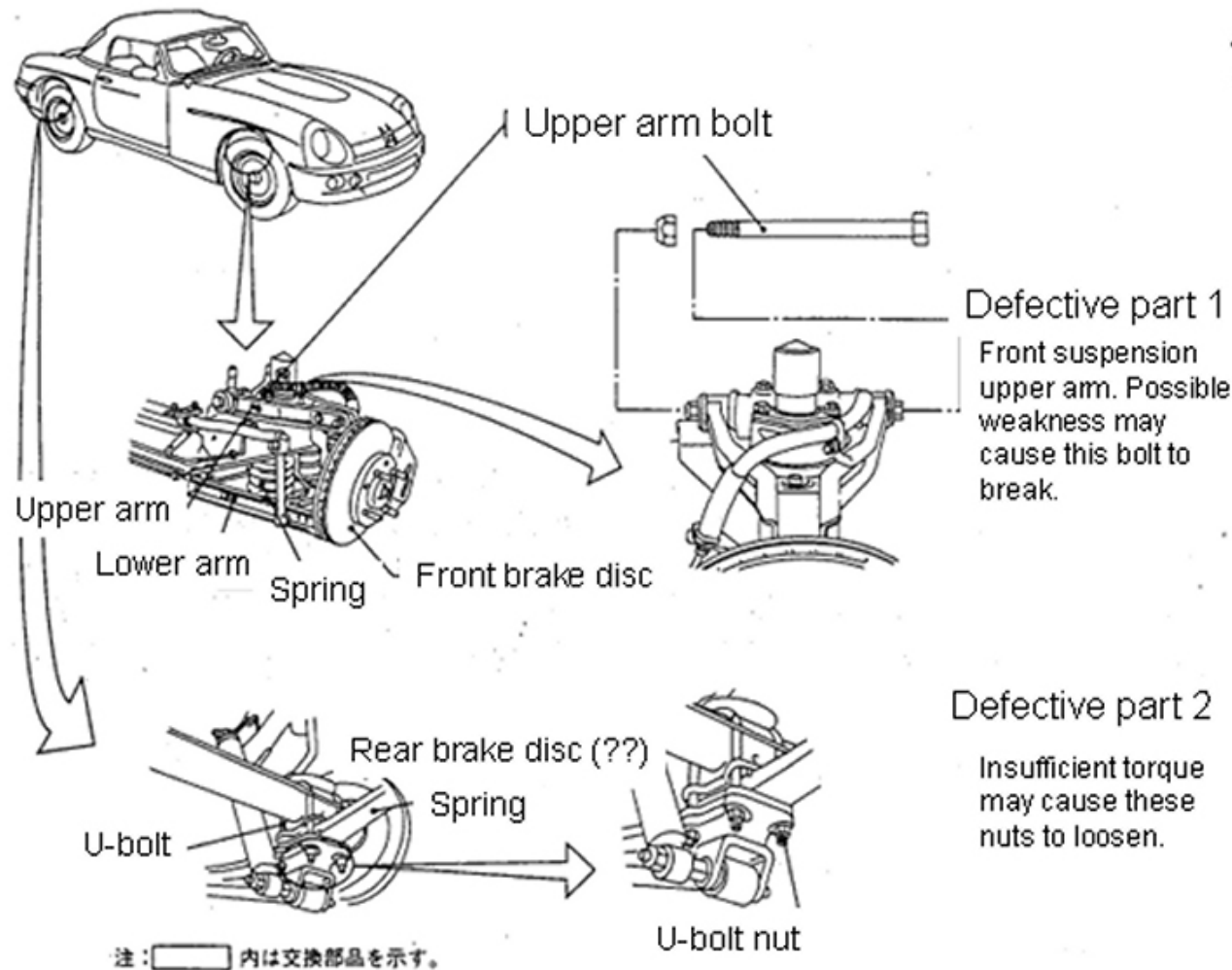


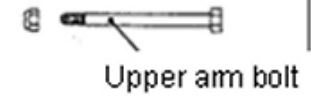
Solution diagram



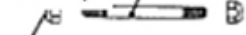
Solution 1

All defective bolts should be replaced

(Before)



(After)



Mark with red paint

Solution 2

Tighten all to 40Nm



U-bolt nut

Mark with red paint