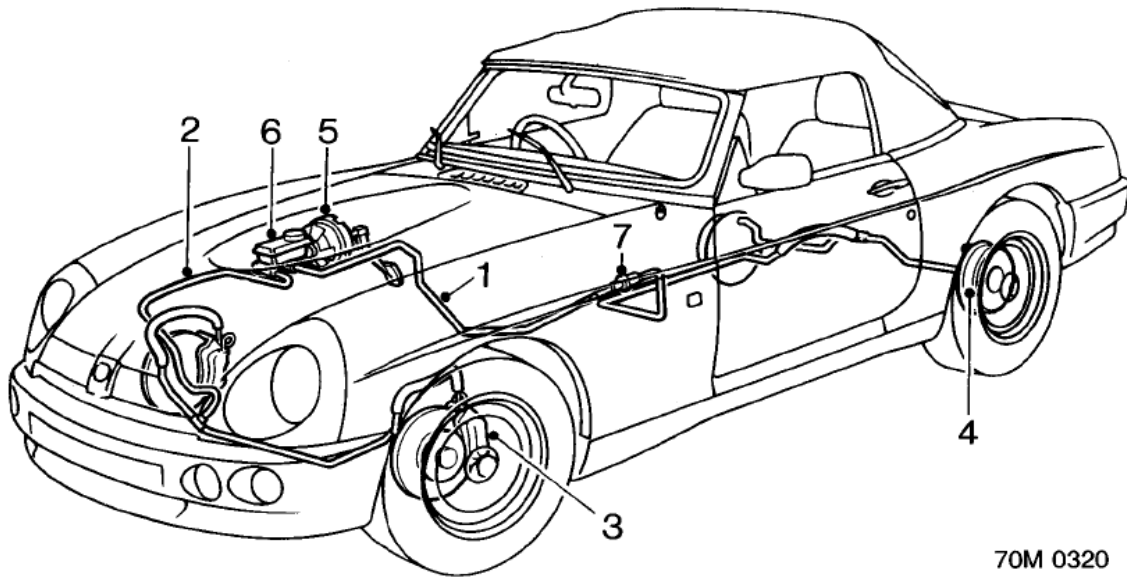


MG RV8 Repair Manual AKM7153ENG - Brakes

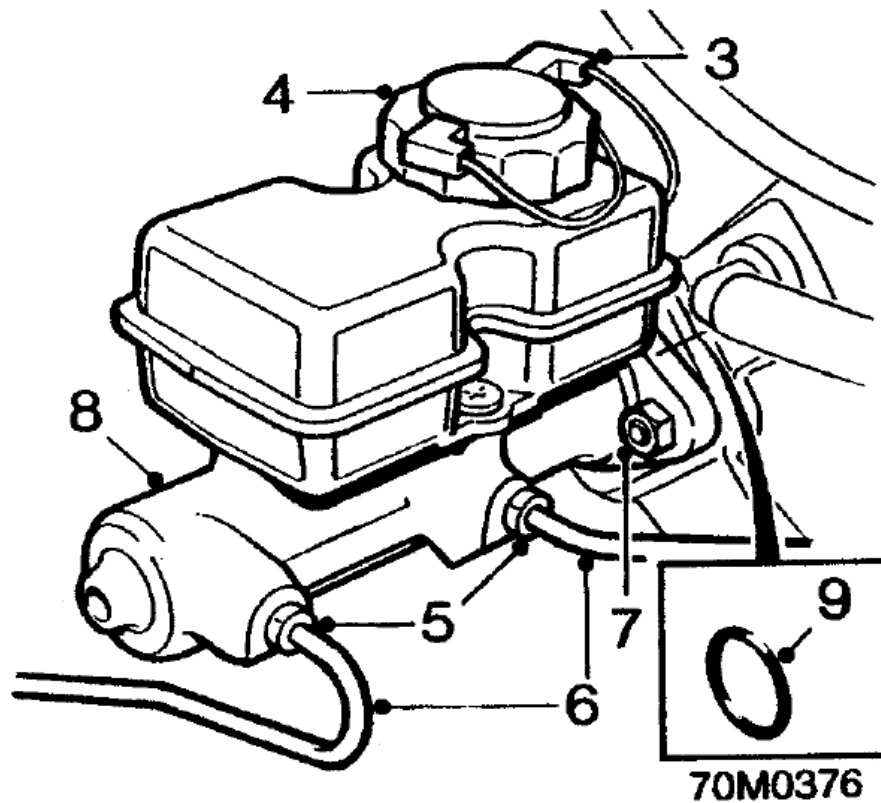


70M 0320

Braking system

- | | |
|----------------------|----------------------------|
| 1. Primary circuit | 5. Servo |
| 2. Secondary circuit | 6. Master cylinder |
| 3. Front caliper | 7. Pressure reducing valve |
| 4. Rear drum | |

Brakes – Description and operation page 6



Brakes – Repairs page 2