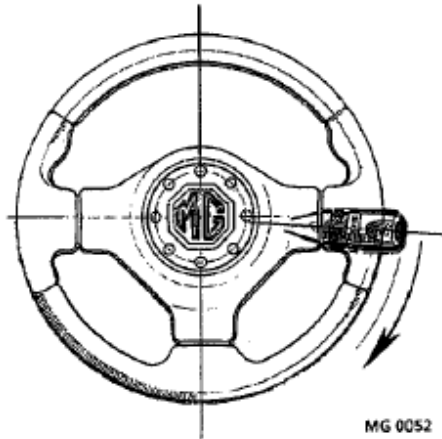


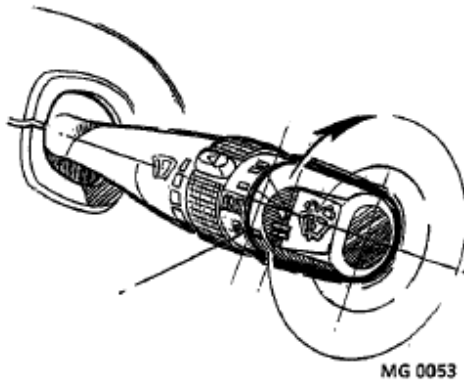


## WIPERS & WASHERS



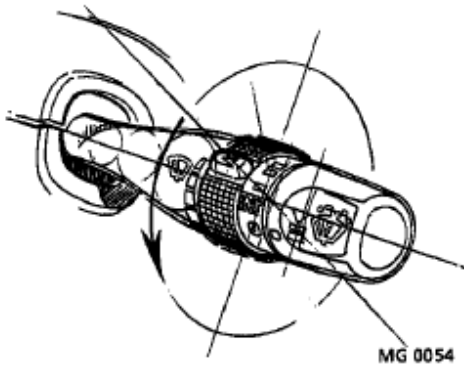
### WIPER CONTROLS

- **Single Wipe**  
Pull the lever down and release.



Rotate the switch clockwise to select the wiper speed required;

- **Intermittent Wipe**  
(*position 1*)
- **Normal Speed Wipe**  
(*position 2*)
- **Fast Speed Wipe**  
(*position 3*)



- **Intermittent Wipe Variable Delay**  
Rotate the switch to vary the delay between wipes.

**NOTE:** *The wipers and washers will only operate when the starter switch is at position 'II'.*

### WASHER CONTROL

Pull the lever towards the steering wheel. Windscreen washing will continue for as long as the lever is held in this position.

The wiper will wipe 3 times once the lever is released.

